



**3 GHz SMA LATCHING TRANSFER SWITCH**

OPTIONS: INDICATOR /SELF CUT-OFF

**R F CHARACTERISTICS**

FREQUENCY RANGE : 0 - 3 GHz  
IMPEDANCE : 50 Ohms

FREQUENCY (GHz)	0 - 3
V.S.W.R <=	1.20
INSERT. LOSS <=	0.20 dB
ISOLATION >=	80 dB
AVER. POWER (*)	240 W

**ELECTRICAL CHARACTERISTICS**

ACTUATOR : LATCHING  
NOMINAL CURRENT AT 25°C (±10%) : 320 mA  
ACTUATOR VOLTAGE (Vcc) : 12V (10.2 to 13V)/ POSITIVE COMMON  
TERMINALS : D-sub 9 pins  
INDICATOR RATING : 1 W / 30 V / 100 mA  
SELF CUT-OFF TIME : 40 ms < CT < 120 ms

**MECHANICAL CHARACTERISTICS**

CONNECTORS : SMA female per MIL C 39012  
LIFE : 2.500.000 cycles  
SWITCHING TIME (nominal voltage;25°C) : < 15 ms  
CONSTRUCTION : splashproof  
WEIGHT : < 100 g

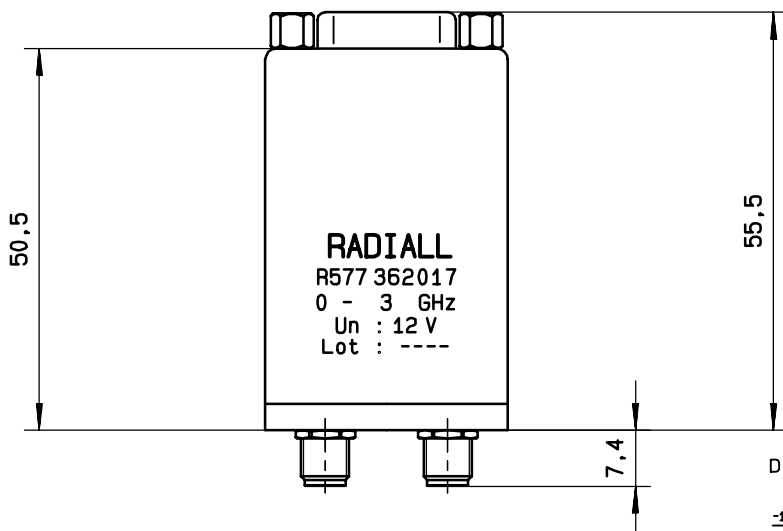
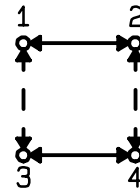
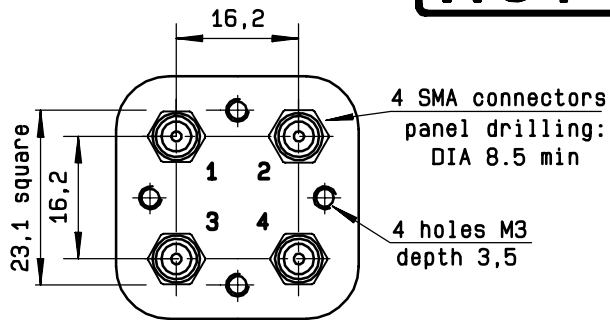
**ENVIRONMENTAL CHARACTERISTICS**

OPERATING TEMPERATURE RANGE (°C) : -40 , +85  
STORAGE TEMPERATURE RANGE (°C) : -55 , +85

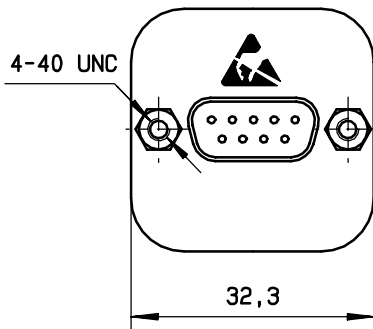
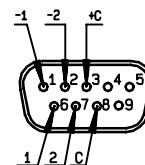
(\* : average power at 25°C)

4112-9212 This information is given as an indication. In the continual goal to improve our products, we reserve the right to make any modifications judged necessary

**DRAWING**



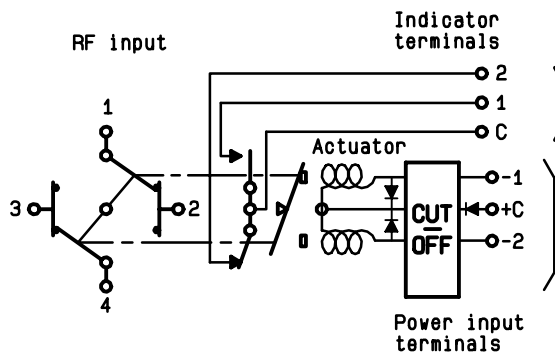
D-SUB 9 PINS  
TOP VIEW



General tolerance: ± 0,5 mm

**SCHEMATIC DIAGRAM**

Voltage	RF continuity	Indicator
+ C - 1	1 ↔ 3    2 ↔ 4	C . 1
+ C - 2	1 ↔ 2    3 ↔ 4	C . 2



This information is given as an indication. In the continual goal to improve our products, we reserve the right to make any modifications judged necessary

4113-9212